

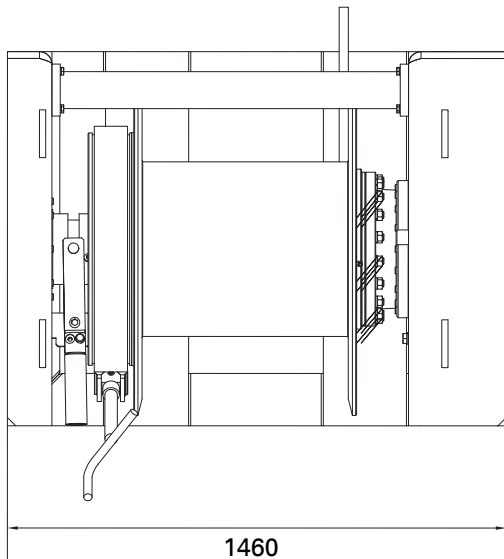
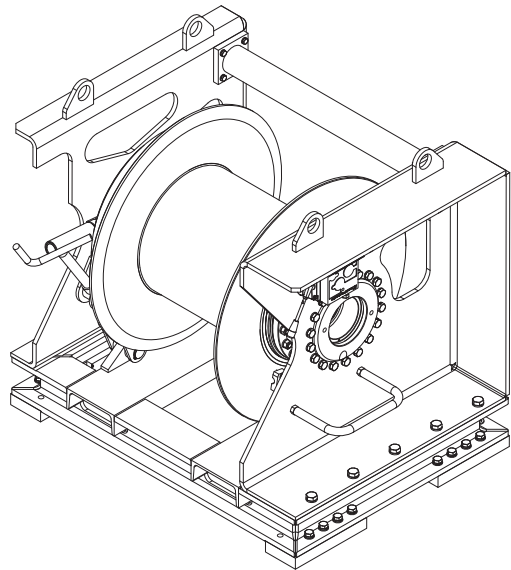
## FACTSHEET - SD15 ST

### Characteristics stackable hydraulic single drum mooring winch

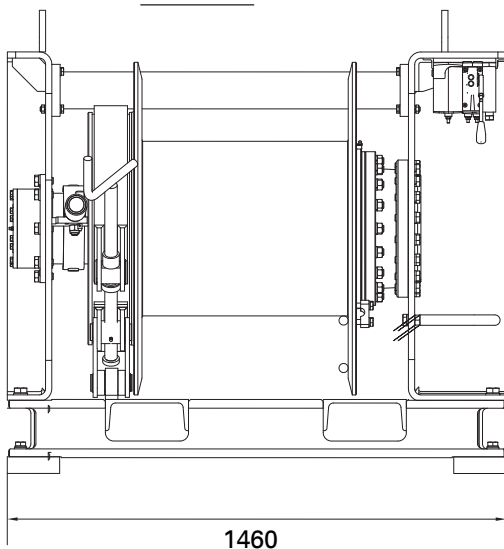
<b>Pulling force at first layer</b>	15.0 ton
<b>Holding force at first layer</b>	22.5 ton
<b>Drum capacity</b>	400 mtr - 28 mm steel wire
<b>Speed at first layer</b>	10 mtr/min
<b>Brake</b>	manual operated
<b>Clutch</b>	manual operated
<b>Weight</b>	1700 kg
<b>Transport dimensions</b>	1460 x 1130 x 1380 mm
<b>Gearbox</b>	RR (planetary)
<b>Working pressure</b>	157 bar
<b>Flow max.</b>	125 ltr/min



**Topview**



**Frontview**



**Sideview**

